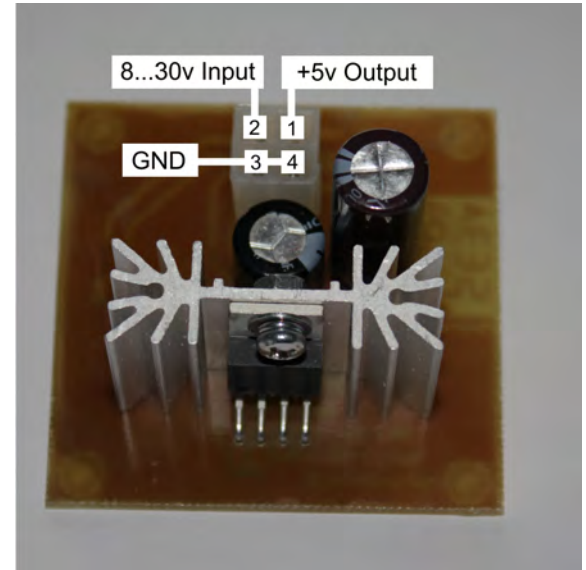
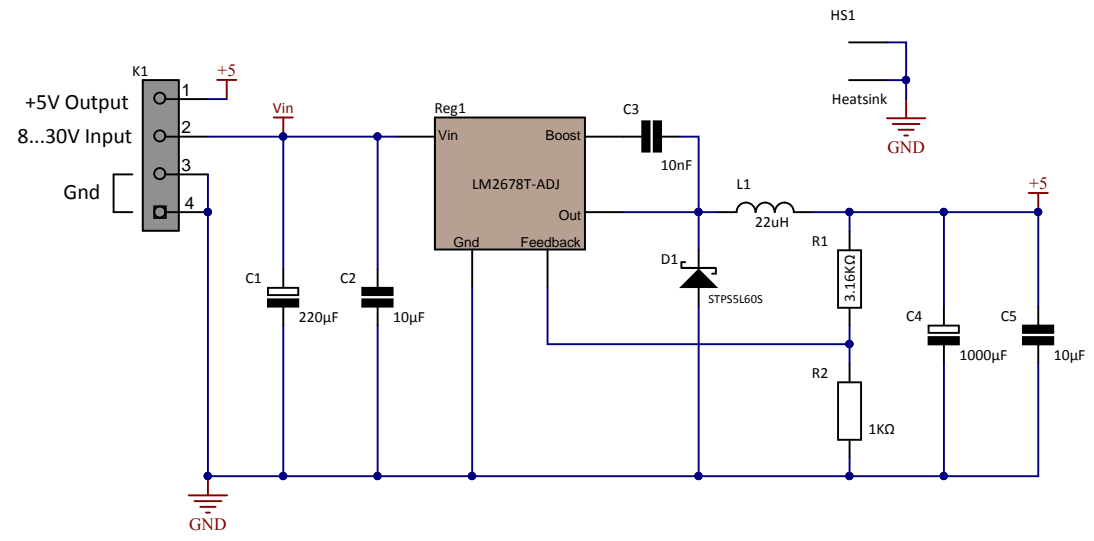


Step Down Converter 8...30V Input, 5V / 3A continuous ; 5A Peak



K1 Details :



Molex MINI-FIT JR. Series,
Series Number 5566, 4.2mm Pitch
4 Way 2 Row Straight PCB Header,
Solder Termination, 8A



DC-DC Buck Converter 5V/3A (Afrotechmods)		Rev. b
Date : Feb '15	Sheet : 1 / 1	
Longo Sébastien	sebanolog.fr	

Bill of Material

Project : AfroReg Step Down Conv. 5V / 3A

Rev. b.

€ (excl. vat)

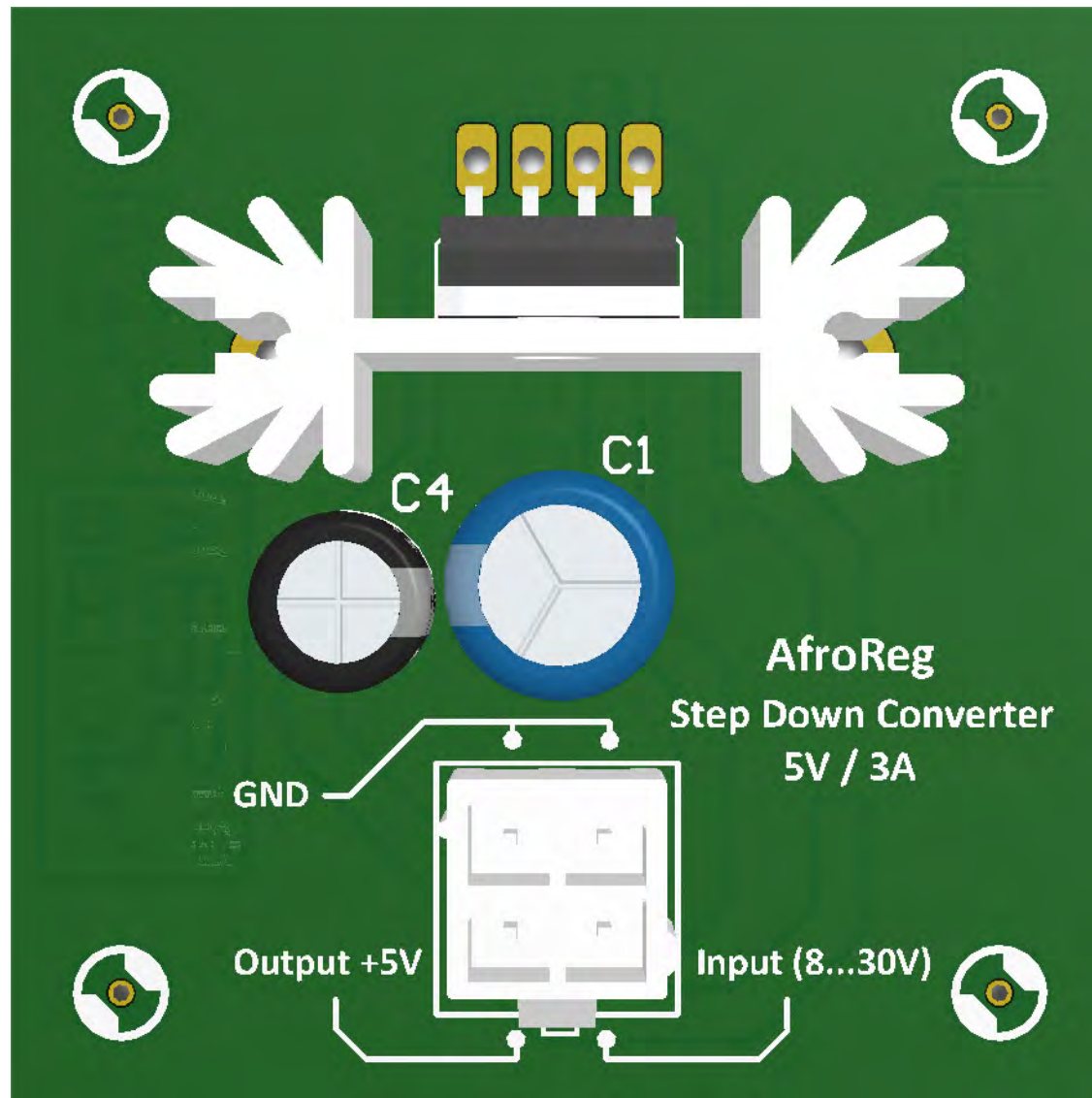
sebanolog.fr

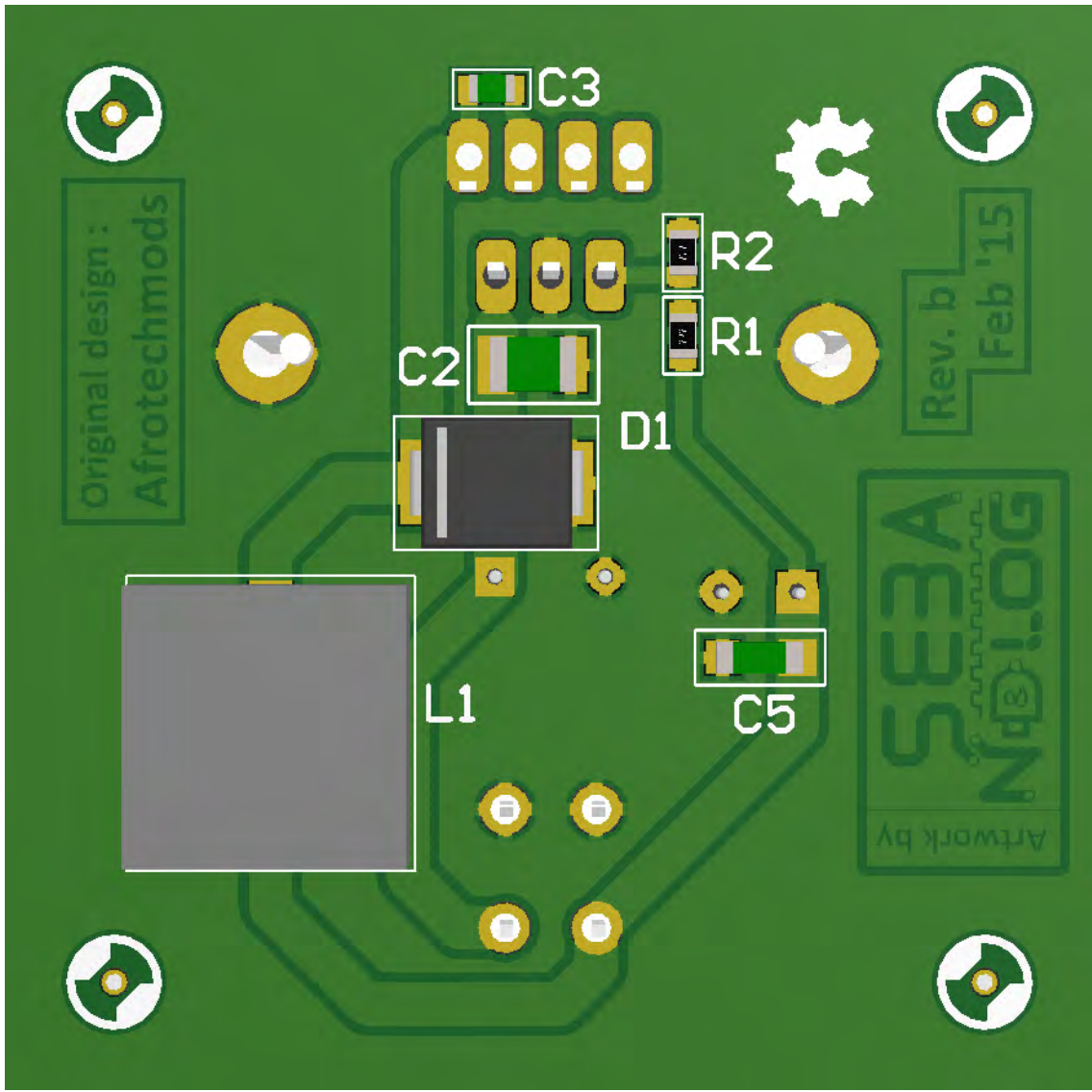
Line	✓	Description	Package/Case	Designator(s)	Vendor	Part #	Qty	Unit	Ext.	Comment
1		R 3,16KΩ ; 125mW ; 1%	0805R	R1	Farnell	1469910	1	0,0250 €	0,03 €	VISHAY CRCW08053K16FKEA
2		R 1KΩ ; 125mW ; 1%	0805R	R2	Farnell	1652936	1	0,0606 €	0,06 €	VISHAY CRCW08051K00FKTA
3		C 220 μF / 50V 105°C	TH 10x16x5mm	C1	Farnell	1219481	1	0,2910 €	0,29 €	PANASONIC EEUFM1H221
4		C 10μF / 35V MLCC X7R	1210C	C2	Farnell	1735537	1	1,0000 €	1,00 €	MURATA GRM32ER7YA106KA12L
5		C 1000 μF / 6,3V 105°C	TH 8x11,5x3,5mm	C4	Farnell	2346558	1	0,2700 €	0,27 €	RUBYCON 6.3PX1000MEFC8X11.5
6		C 10μF / 10V MLCC Y5V	1206C	C5	Farnell	1759434	1	0,0651 €	0,07 €	MULTICOMP MC1206F106Z100CT
7		C 10nF / 50V MLCC X7R	0805C	C3	Farnell	2407341	1	0,0118 €	0,01 €	VISHAY VJ0805Y103KXACW1BC
8		L 22μH / 6A (13.2 x 12.8 x 6.2mm)	SMD 1365	L1	Farnell	2082647	1	3,0900 €	3,09 €	WURTH 7443551221
9		D Power Schottky Rectifier 60v / 5A STPS5L60S	SMC	D1	Farnell	2341609	1	1,0400 €	1,04 €	STMICROELECTRONICS
10		Regulator LM2678T-ADJ (STEP-DOWN 5A)	TO-220-7	Reg1	Farnell	9486186	1	5,3100 €	5,31 €	TEXAS INSTRUMENTS
11		Conn. Mini-Fit Jr. 5566 (MF-04MA 5566-4)	TH 4,2mm	K1	Digikey	WM23821-ND	1	1,8800 €	1,88 €	Molex 0039296048 (ATX12V)
12		HEATSINK (PC PSU Rip-off, slightly larger than AAVID)	TH 25,8mm	HS1	Farnell	1850717	1	4,8900 €	4,89 €	AAVID THERMALLOY 513002B02500G
									Total (excl. vat)	17,93 € H.T
									Total (Incl. vat)	21,49 € T.T.C.

Rev. A	Same parts as Afrotechmods; except the schottky and Resistors (SMD Packages)	Dec. '14
Rev. B	some capacitors have been adjusted both in (V) and Dim. (Dia./Length/Lead Space) ; Heatsink Only for Reference, won't fit !	Feb. '15

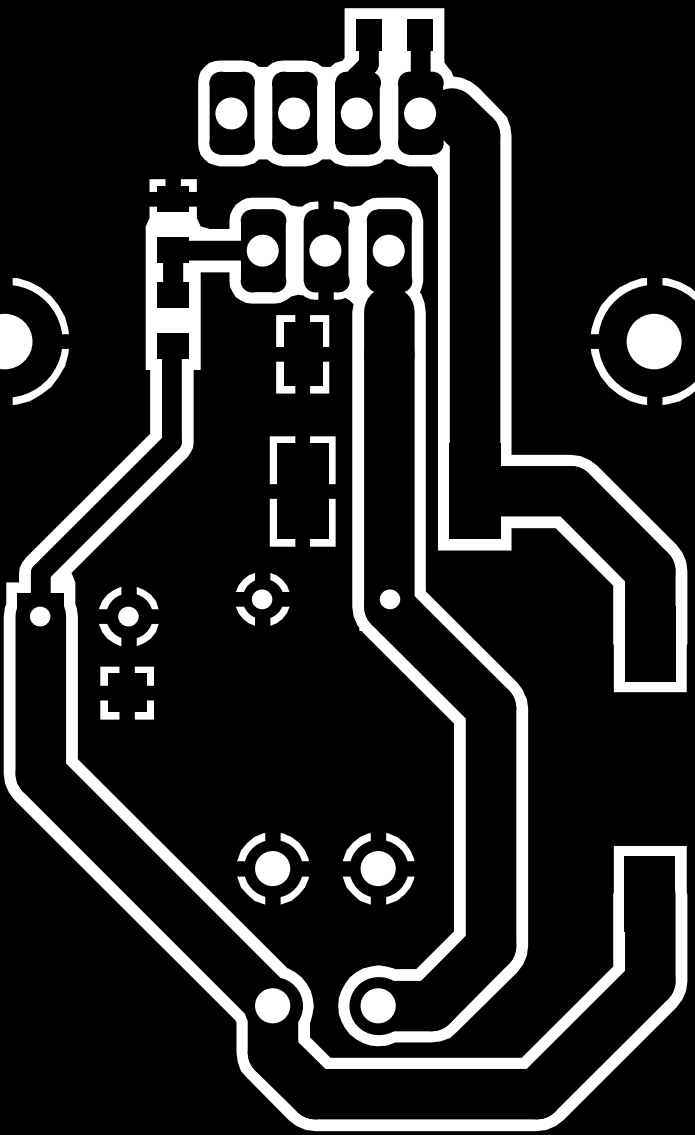
Drill Sizes	
TH Caps	0,8 mm
U1	1 mm
K1	1,4 mm
HS1	2,2 mm
Mounting Holes	3,0 mm

Following Drawings Scale : 3,0 3D Top, 3D Bottom, Copper Bottom





Original Design
shomdsoyfa



Original Design
Fsp' d'p

Artwork by
A333
801
N

